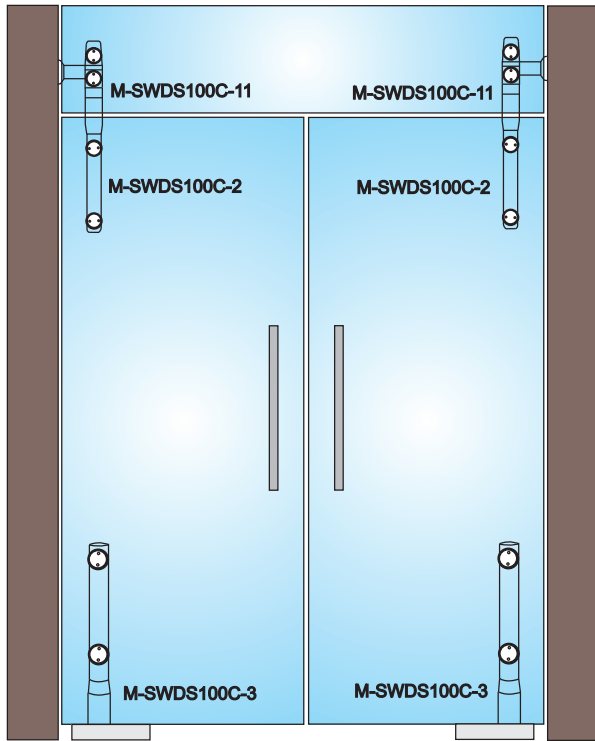
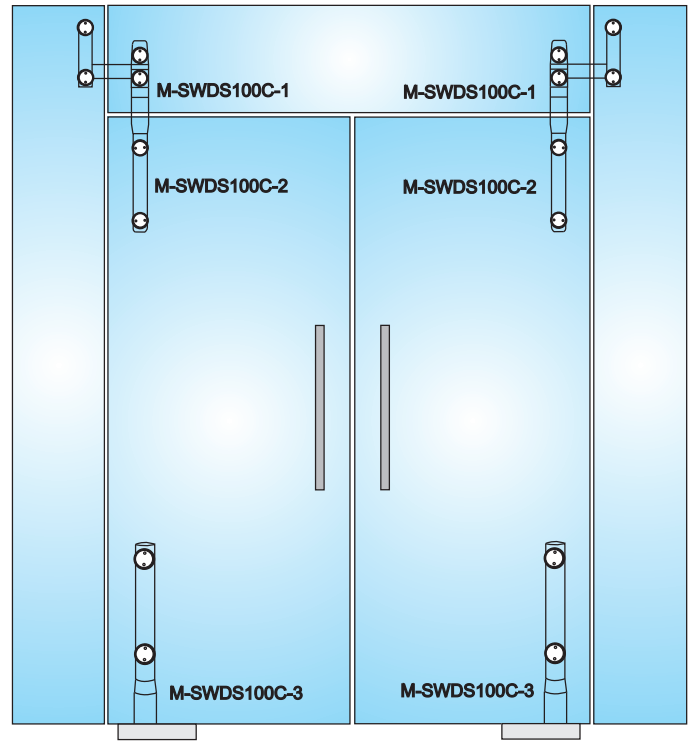


# Fixing point system

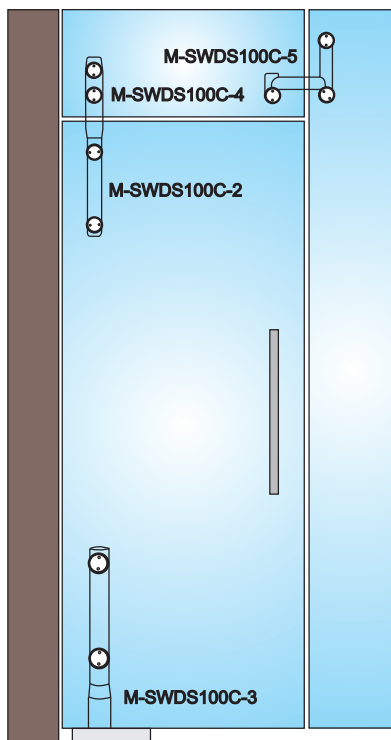
**M-SWDS TYP A**



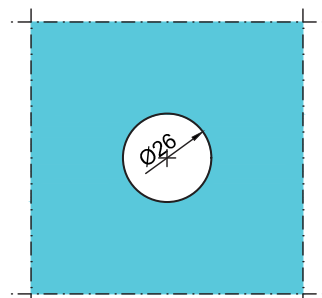
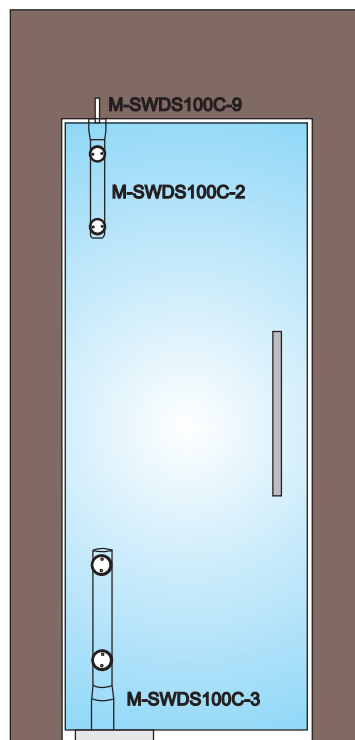
**M-SWDS TYP B**



**M-SWDS TYP C**



**M-SWDS TYP D**




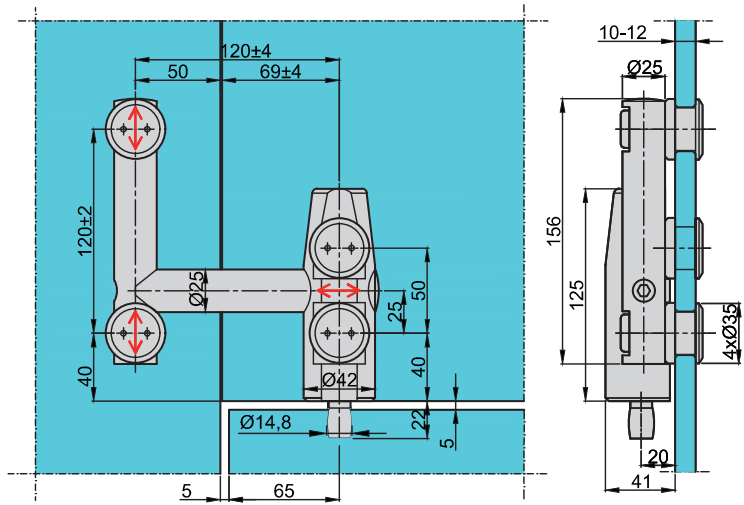
The diameter of glass openings for M-SWDS system fittings: 26 mm

## Fixing point system

### GM-SWDS100C-1




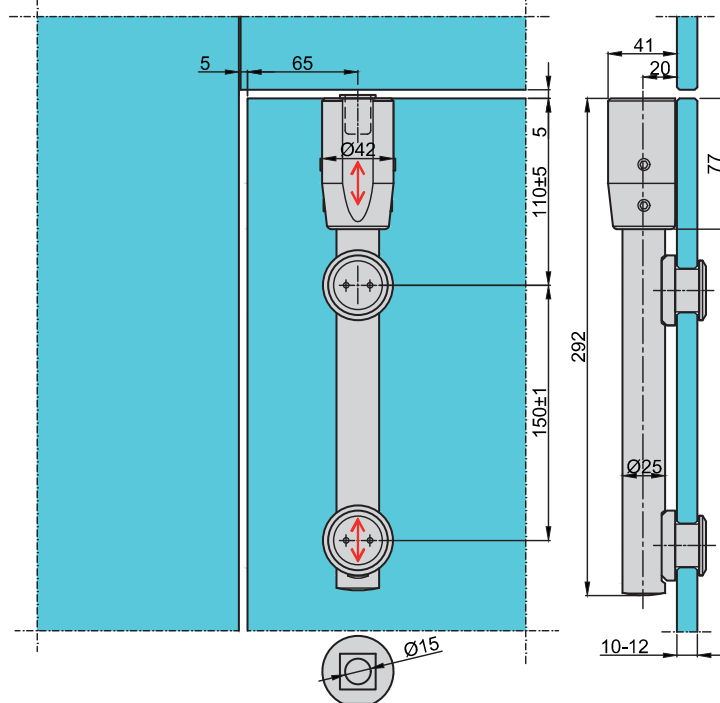
 satin stainless steel



### GM-SWDS100C-2




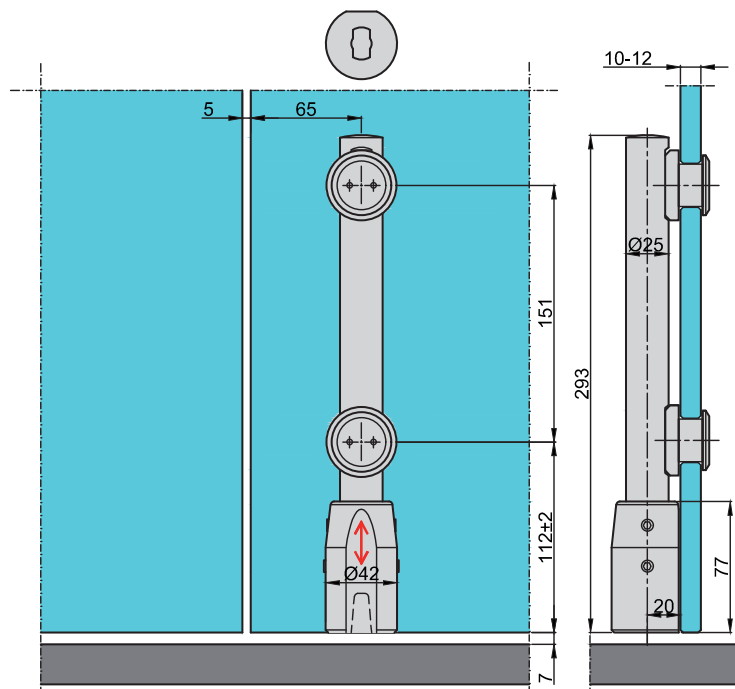
 satin stainless steel



### GM-SWDS100C-3



 satin stainless steel




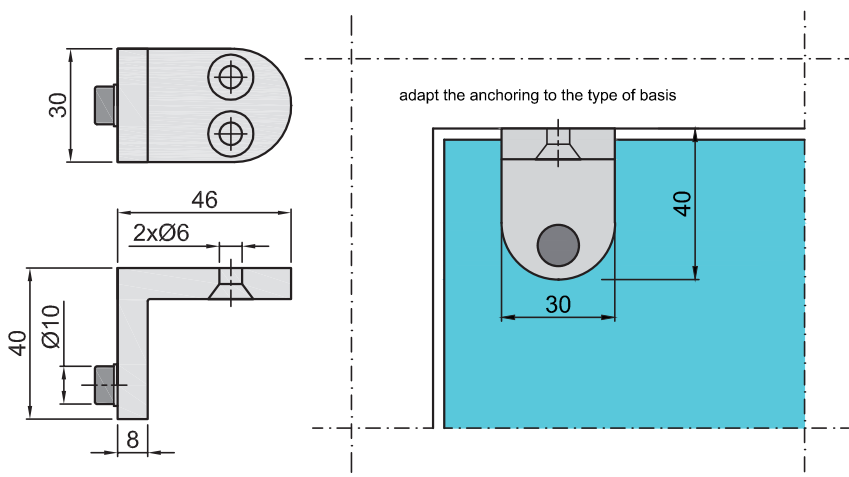


# Fixing point system

## GM-SWDS100D-5




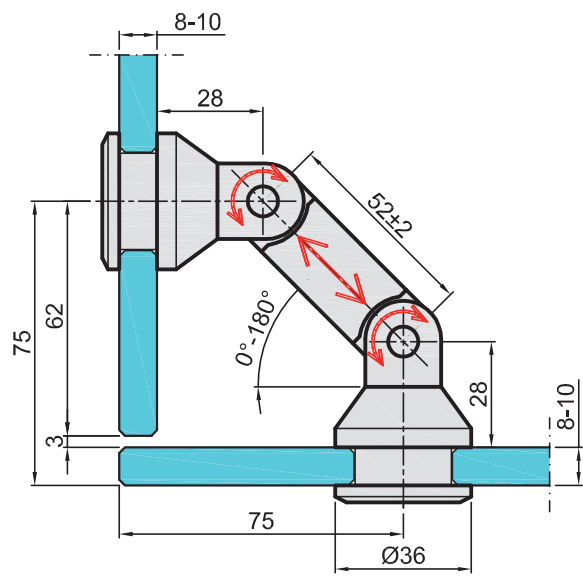
 satin stainless steel



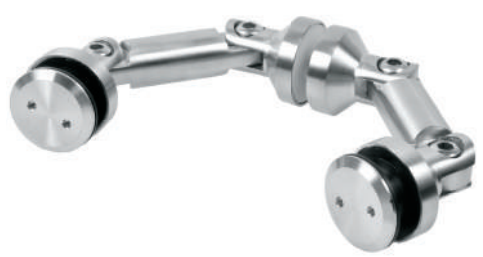
## GM-SLDS100E-6




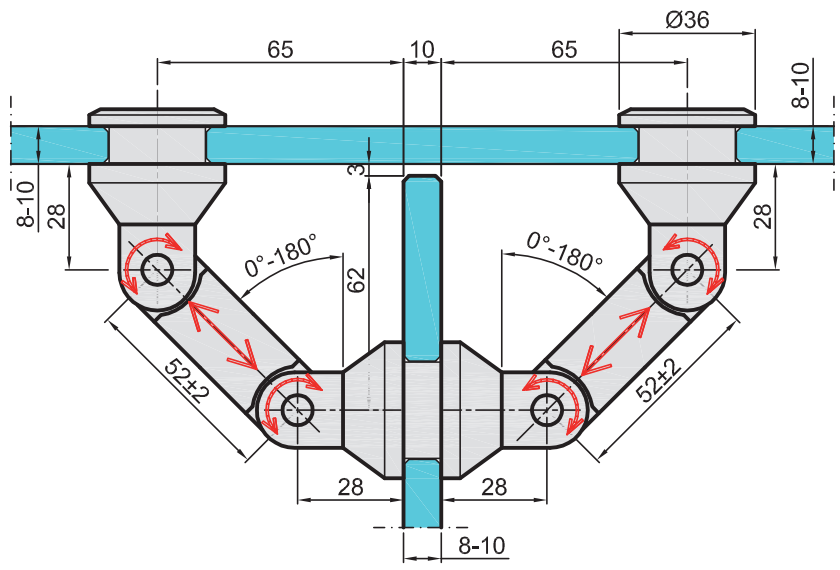
 satin stainless steel



## GM-SLDS100E-8




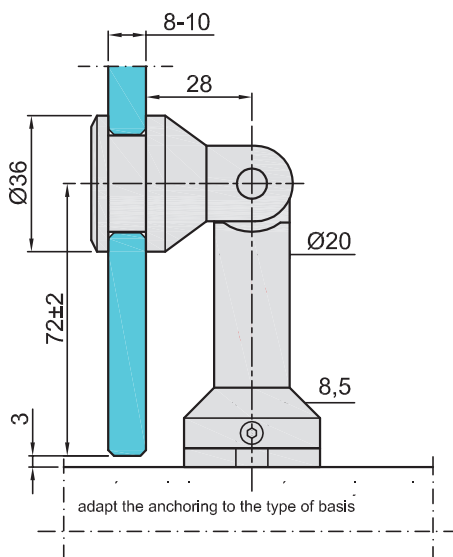
 satin stainless steel



## GM-SLDS100E-9




 satin stainless steel



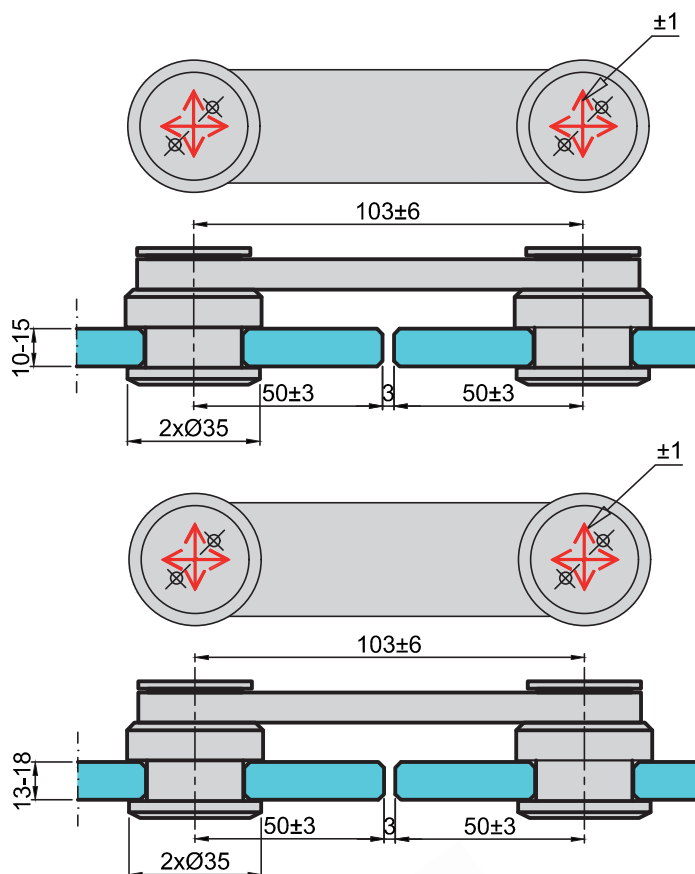
## GM-SLDS100E-10-1 GM-SLDS100E-10-2



 satin stainless steel

E-10-1 - glass thickness: 10-15 mm

E-10-2 - glass thickness: 13-18 mm



## GM-SLDS100K

Installation key



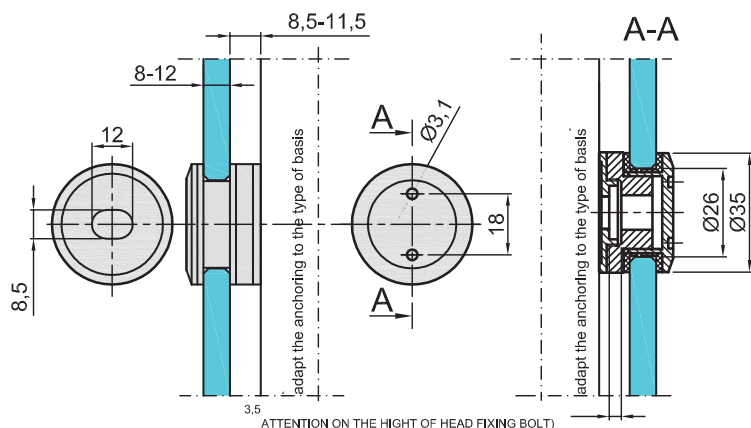
## Fixing point system

### GM-MP100F-1



satin stainless steel

Indicate glass thickness during the order  
Recommended distance between rotulas - 800 mm

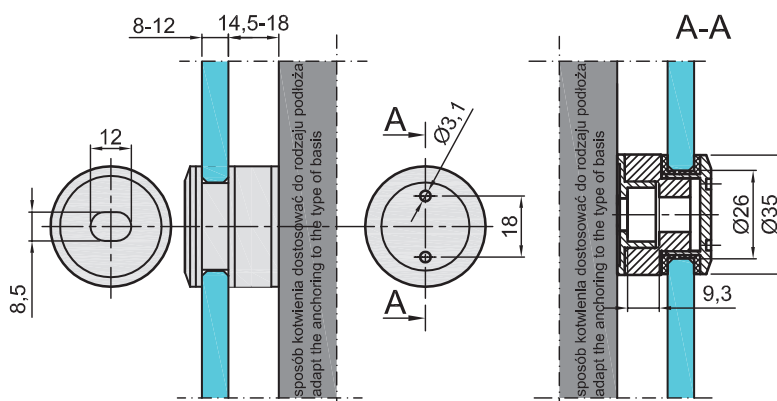


### GM-MP100F-3



satin stainless steel

Indicate glass thickness during the order  
Recommended distance between rotulas - 800 mm

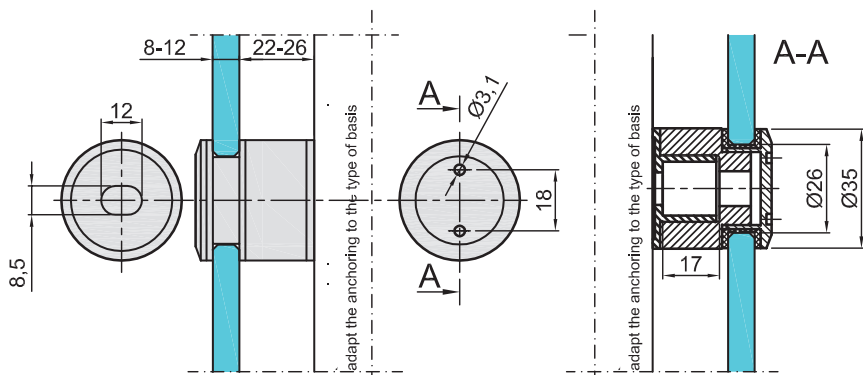


### GM-MP100F-7

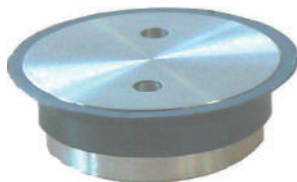


matowa stal nierdzewna  
satin stainless steel

Indicate glass thickness during the order  
Recommended distance between rotulas - 800 mm



### GM-MP100FF



satin stainless steel

